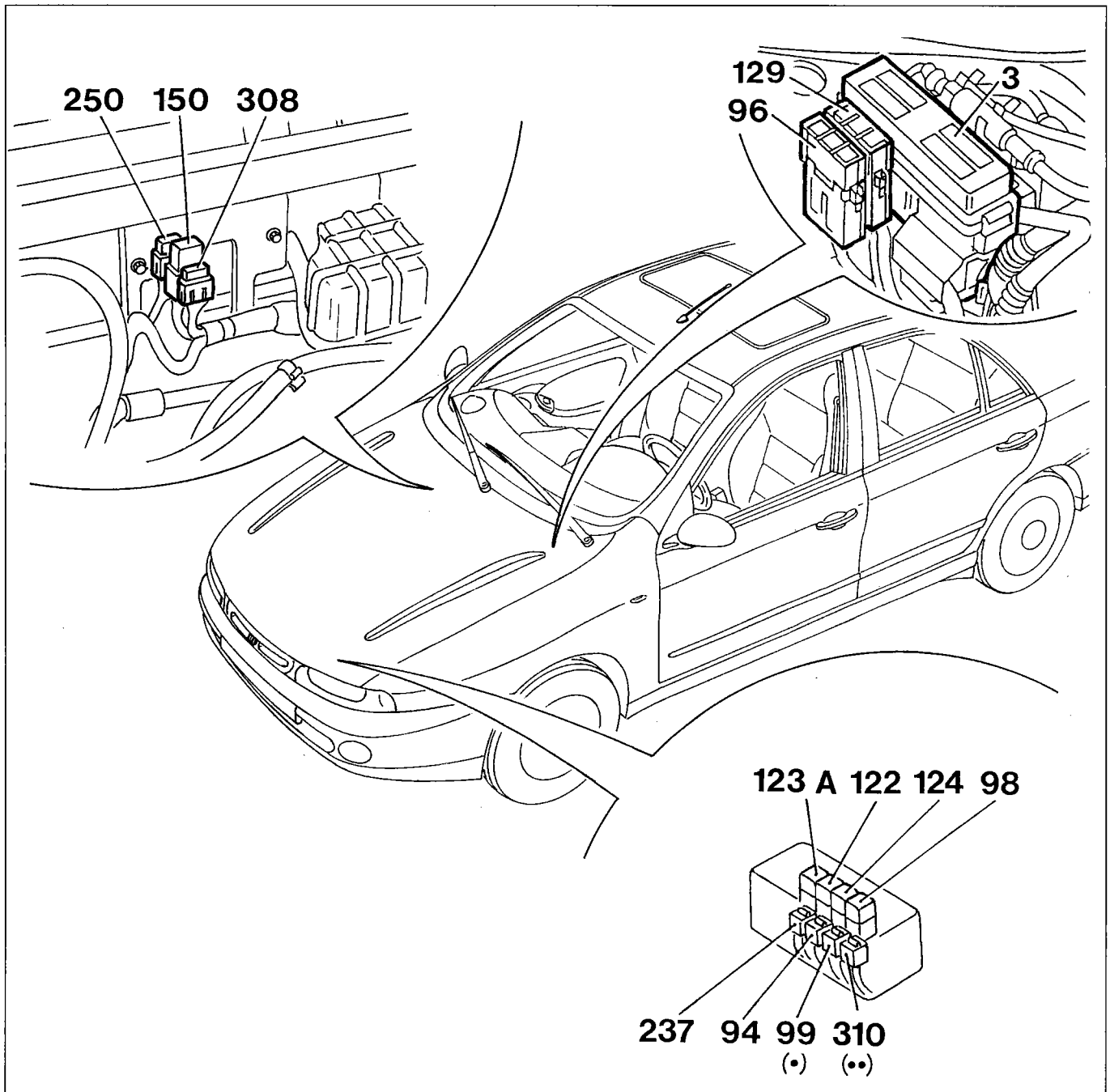


**LOCATION OF COMPONENTS ON VEHICLE**

- Location of relays and fuses on vehicle 1
- Location of control units and tester sockets 2

**LOCATION OF RELAYS AND FUSES ON VEHICLE**

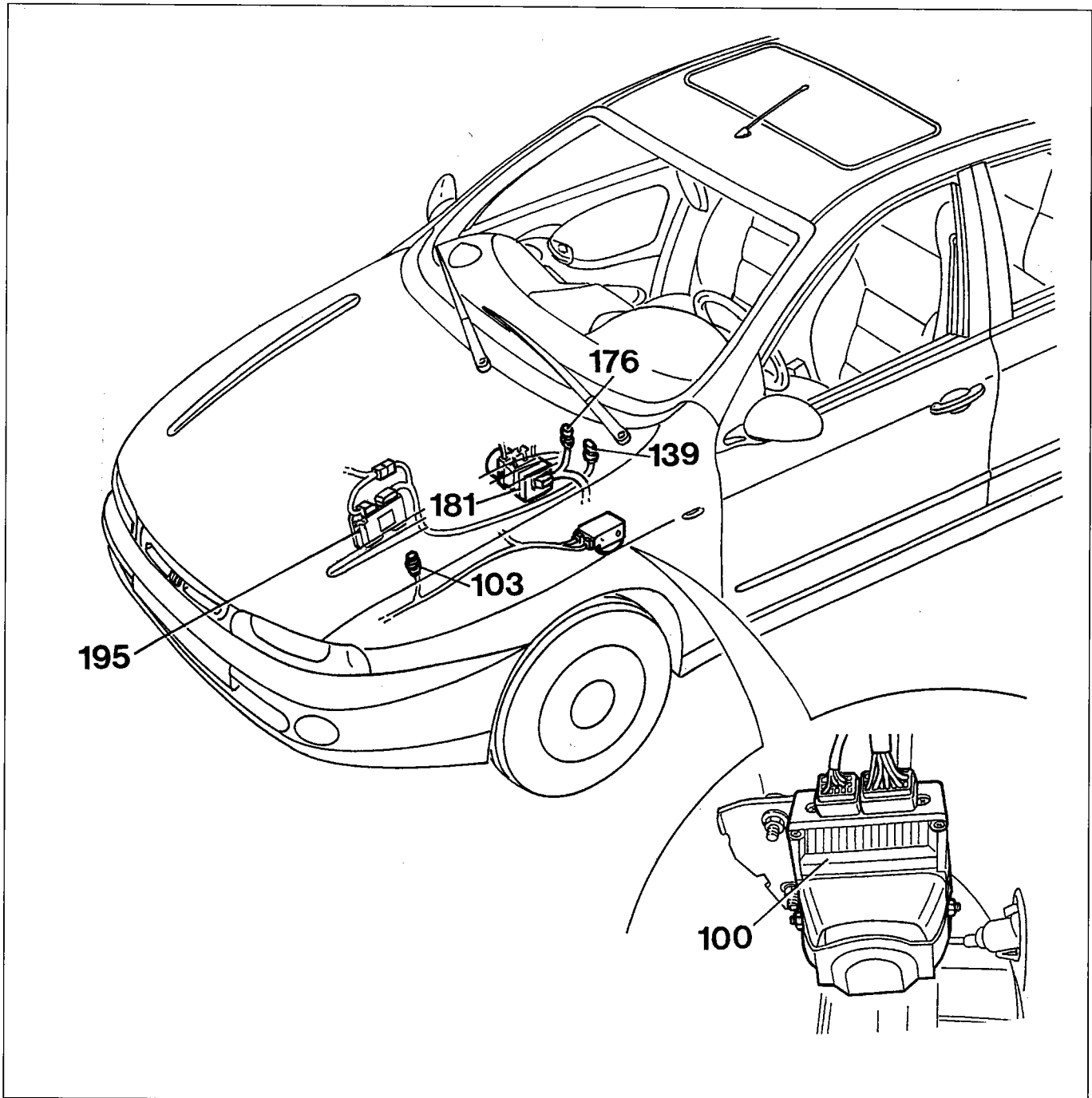


P4F003L02

- |                                                                                                                                                                                                                                                                                                                                                                             |                                                                                                                                                                                                                                                                                                                                                                                                |
|-----------------------------------------------------------------------------------------------------------------------------------------------------------------------------------------------------------------------------------------------------------------------------------------------------------------------------------------------------------------------------|------------------------------------------------------------------------------------------------------------------------------------------------------------------------------------------------------------------------------------------------------------------------------------------------------------------------------------------------------------------------------------------------|
| <ul style="list-style-type: none"> <li>3. Power fuse box</li> <li>94. ABS fuse</li> <li>96. ABS system power fuse</li> <li>98. Headlamp washer intermittent function</li> <li>90. Headlamp wiper fuse</li> <li>122. Engine cooling fan low speed relay</li> <li>123A. Engine cooling fan high speed relay</li> <li>124. Air conditioner compressor control relay</li> </ul> | <ul style="list-style-type: none"> <li>129. Engine cooling fan power fuse</li> <li>150. Injection system control relay</li> <li>237. FIAT CODE fuse</li> <li>250. Fuel pump fuse</li> <li>308. Injection system and Fiat CODE fuse</li> <li>310. Headlamp washer and air conditioner fuse</li> <li>(●●) Versions with air conditioner</li> <li>(●) Versions without air conditioner</li> </ul> |
|-----------------------------------------------------------------------------------------------------------------------------------------------------------------------------------------------------------------------------------------------------------------------------------------------------------------------------------------------------------------------------|------------------------------------------------------------------------------------------------------------------------------------------------------------------------------------------------------------------------------------------------------------------------------------------------------------------------------------------------------------------------------------------------|

**55.**

**LOCATION OF CONTROL UNITS AND TESTER SOCKETS (ENGINE BAY)**



P4F005L02

- 100. Alarm electronic control unit
- 103. Tester connection for alarm
- 139. Tester connection for injection system
- 176. Tester connection for ABS device (A.B.S.)

- 181. Hydraulic control unit for anti-lock brakes (A.B.S.)
- 195. Ignition/injection electronic control unit